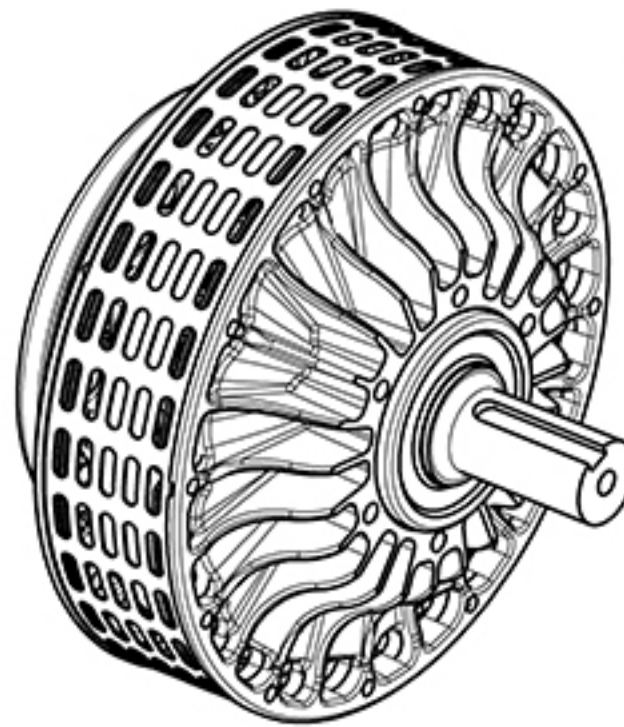


SAIETTA

# 155R MOTOR

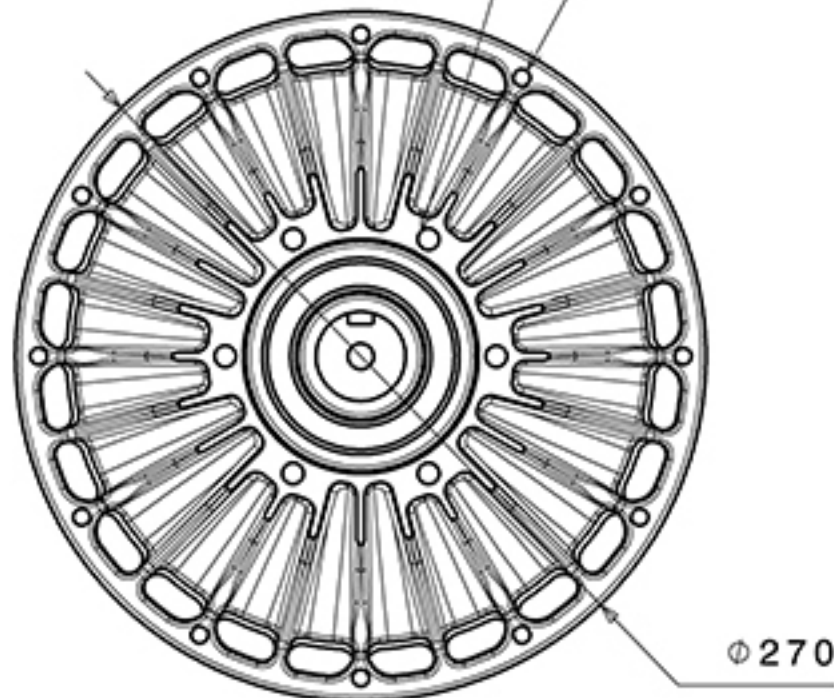
Weight: 20Kg



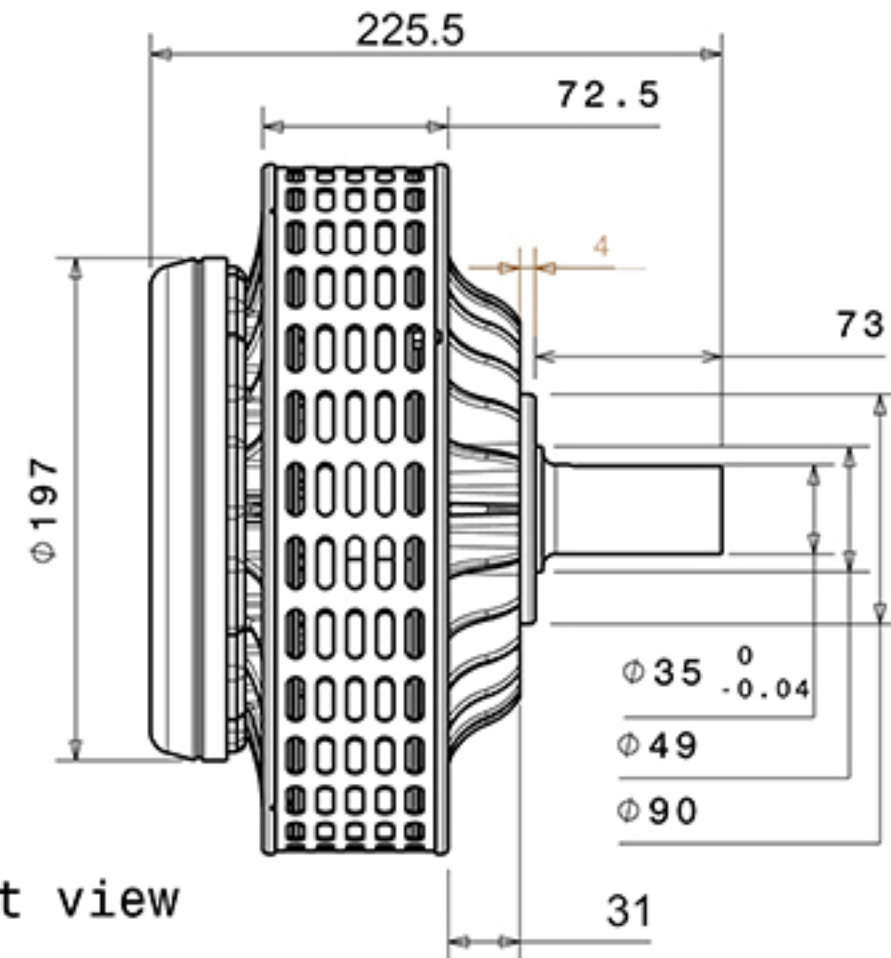
Isometric view

6 HOLES,  
M10 X 1.5  
ON PCD 106,  
30 mm MINIMUM  
THREAD DEPTH

12 HOLES,  
M8 X 1.25.  
ON PCD 256  
THROUGH



Front view



Left view