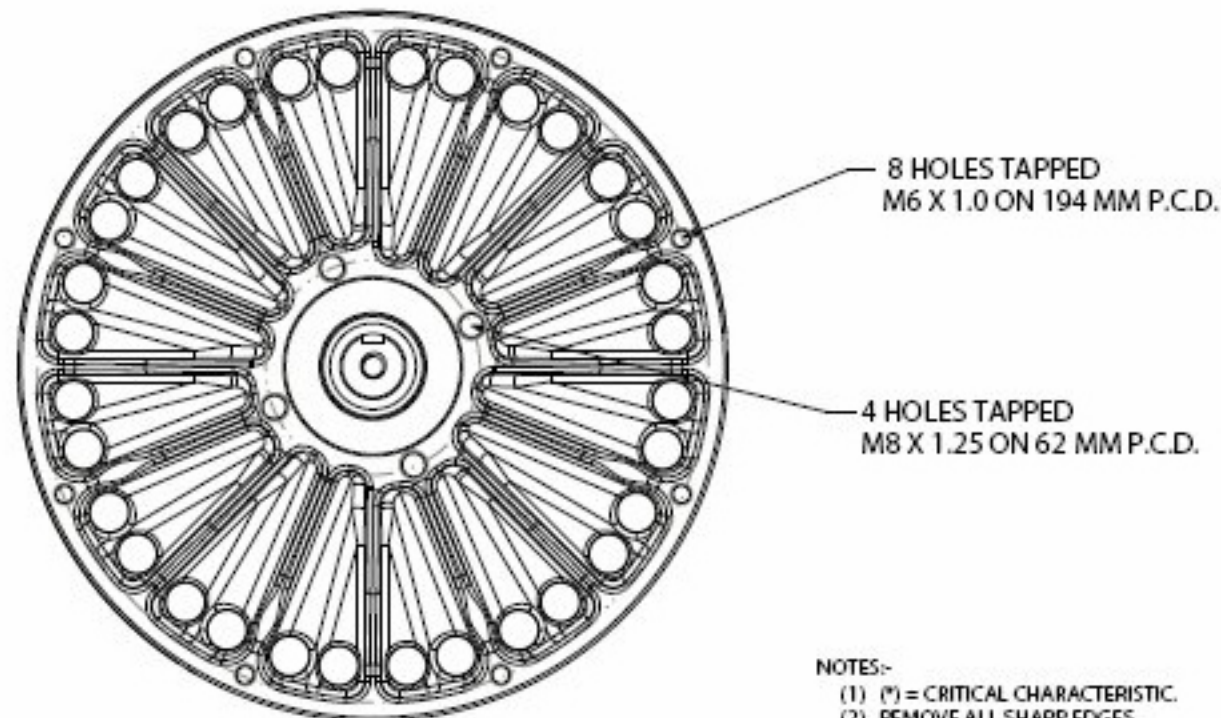
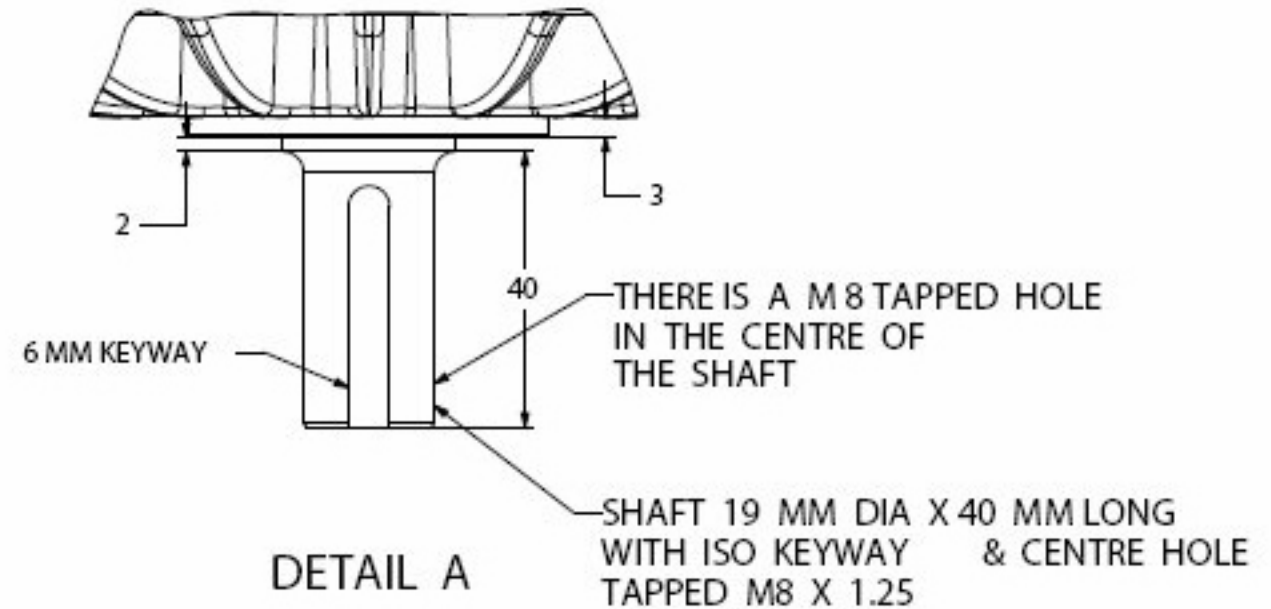
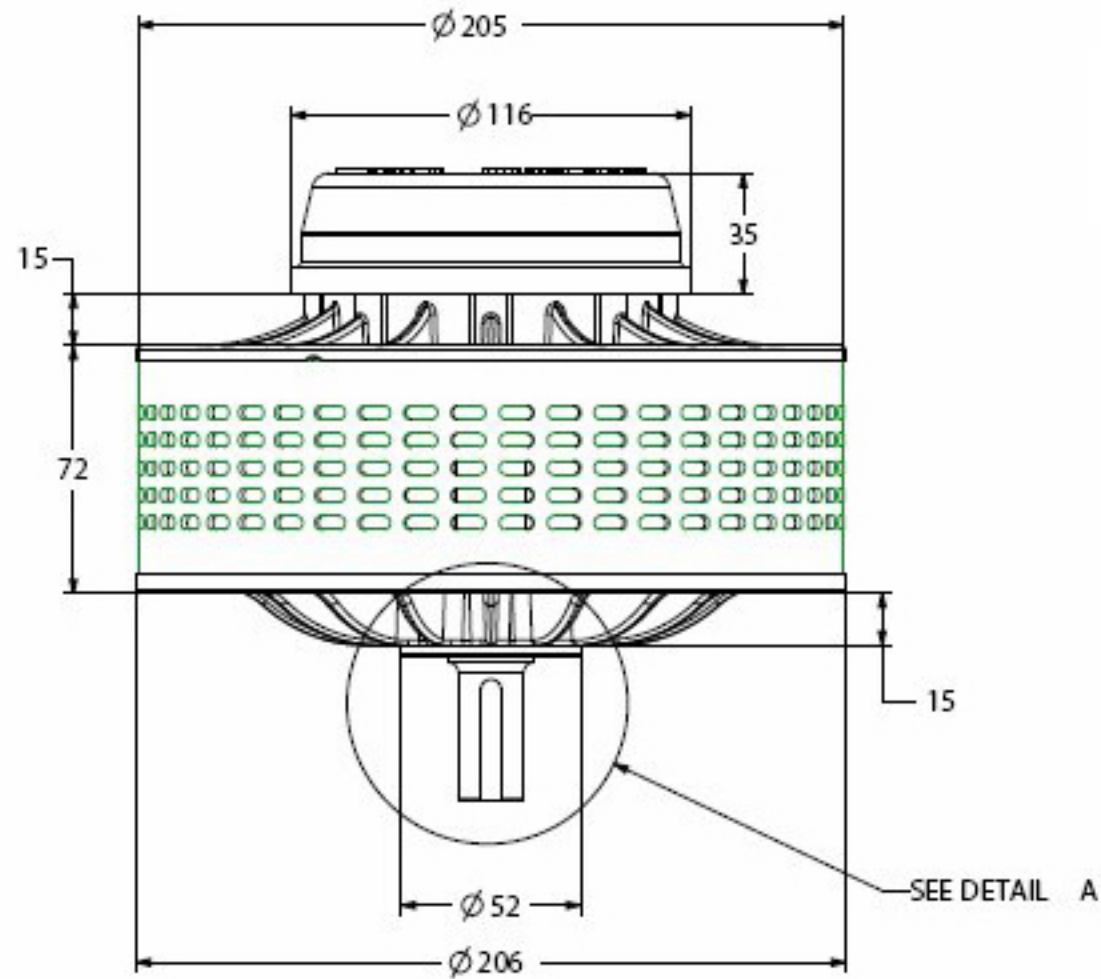


119 / 119R MOTOR



- NOTES:-
- (1) (*) = CRITICAL CHARACTERISTIC.
 - (2) REMOVE ALL SHARP EDGES.
 - (3) ALL DIMENSIONS ARE IN mm.

Weight: 11kg

SAIETTA